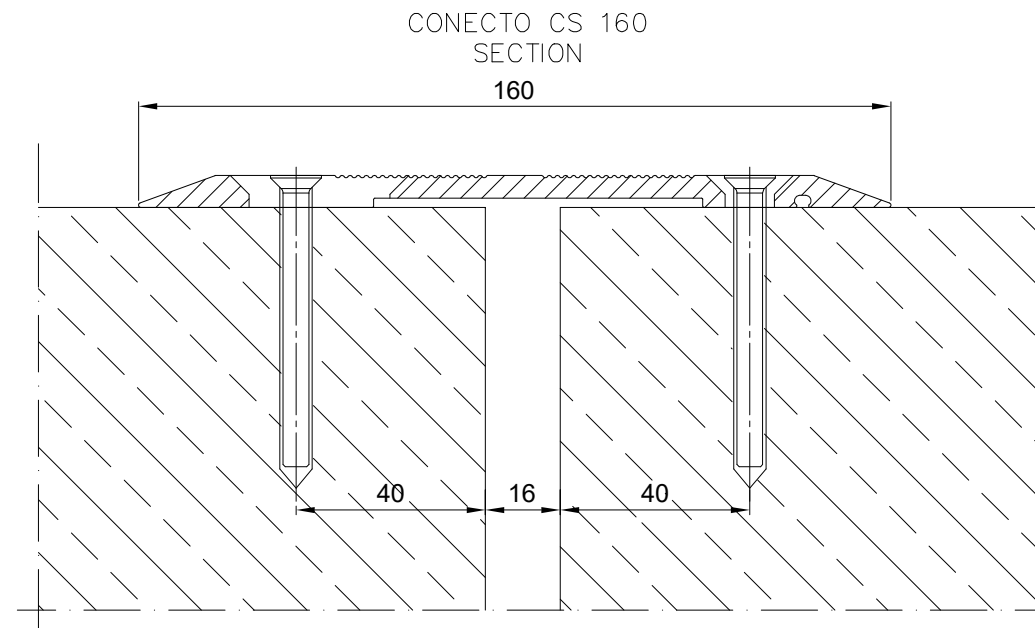
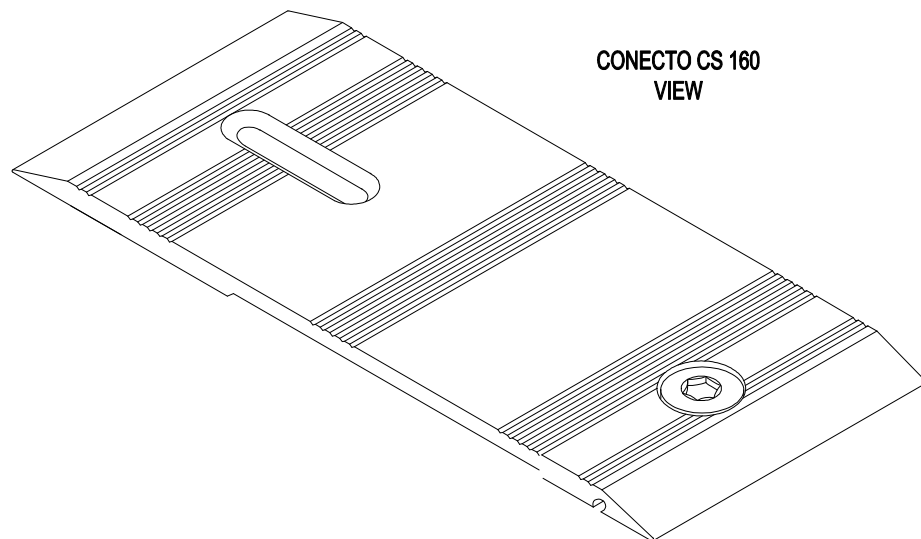
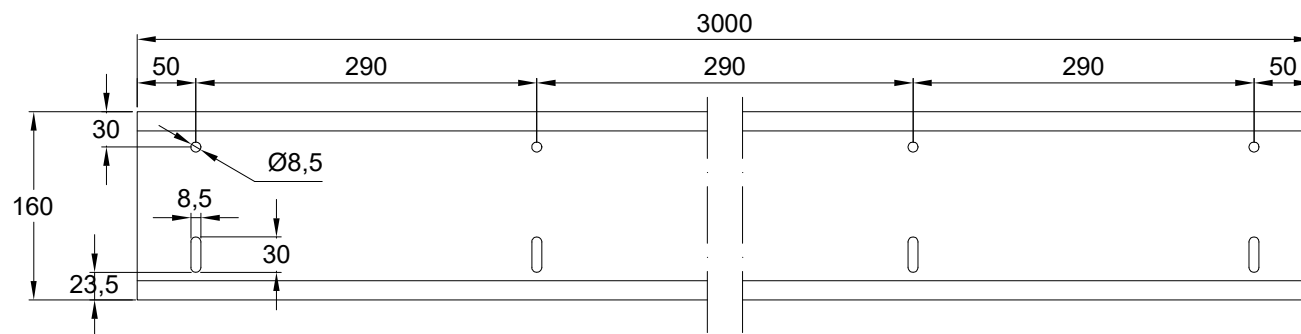


INFORMATION TABLE

Profile type	Visible element [mm]	Joint width [mm]	Installation height [mm]	Material type	Horizontal compensation [mm]
CS 160	160	max 16	7	Aluminum	±15



CONECTO CS 160 -  
PARALLEL BILATERAL HOLES  
VIEW  
SCALE 1:4



Expansion joint Conecto CS 160  
with parallel bilateral holes

Conecto Profiles Sp. z o.o.  
ul. Przemysłowa 39  
61-541 Poznań  
www.conecto-profiles.com



ROZMIAR / SIZE A3	SKALA / SCALE 1:1	Wszystkie wymiary podano w [ mm ] All dimensions in [ mm ]
----------------------	----------------------	---

PROJEKT	PROJECT	ZŁOŻENIE	SUB ASSEMBLY	RYSUNEK	DRAWING	ARKUSZ SHEET	WER REV
--	--	--	--	01	01	1 Z OF 1	