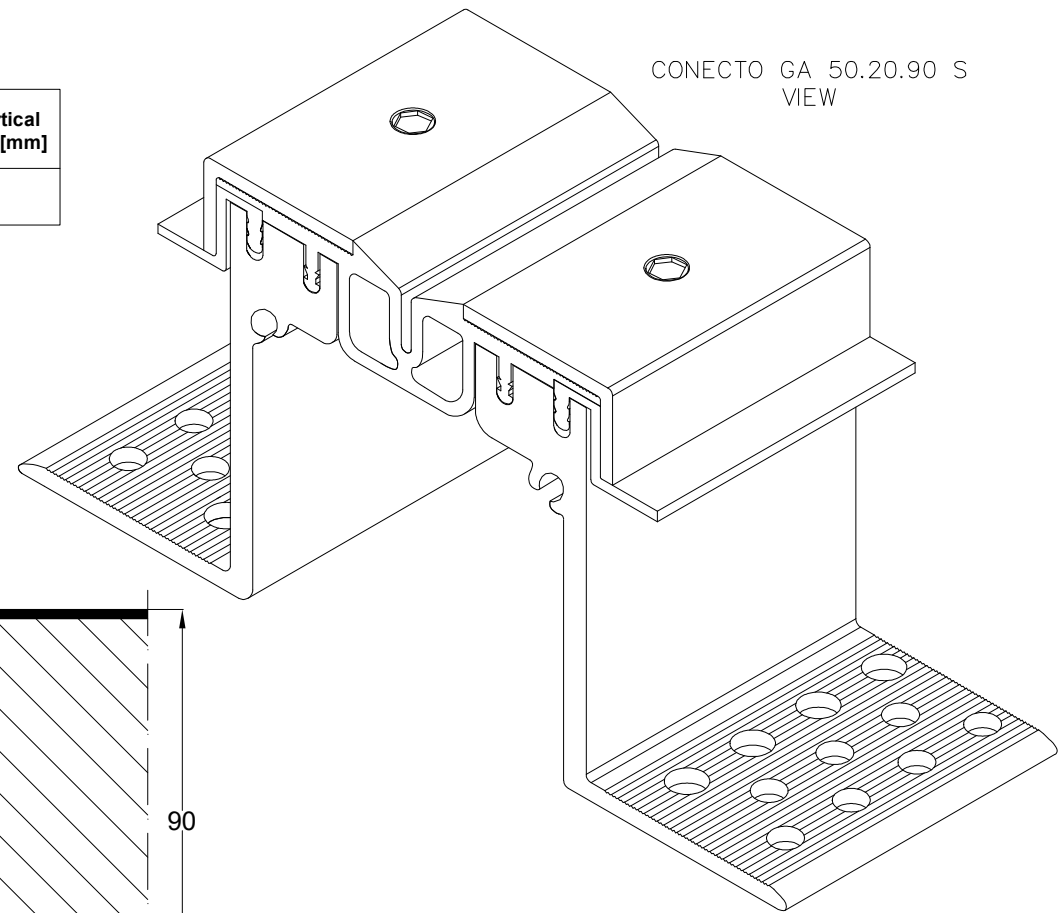


INFORMATION TABLE

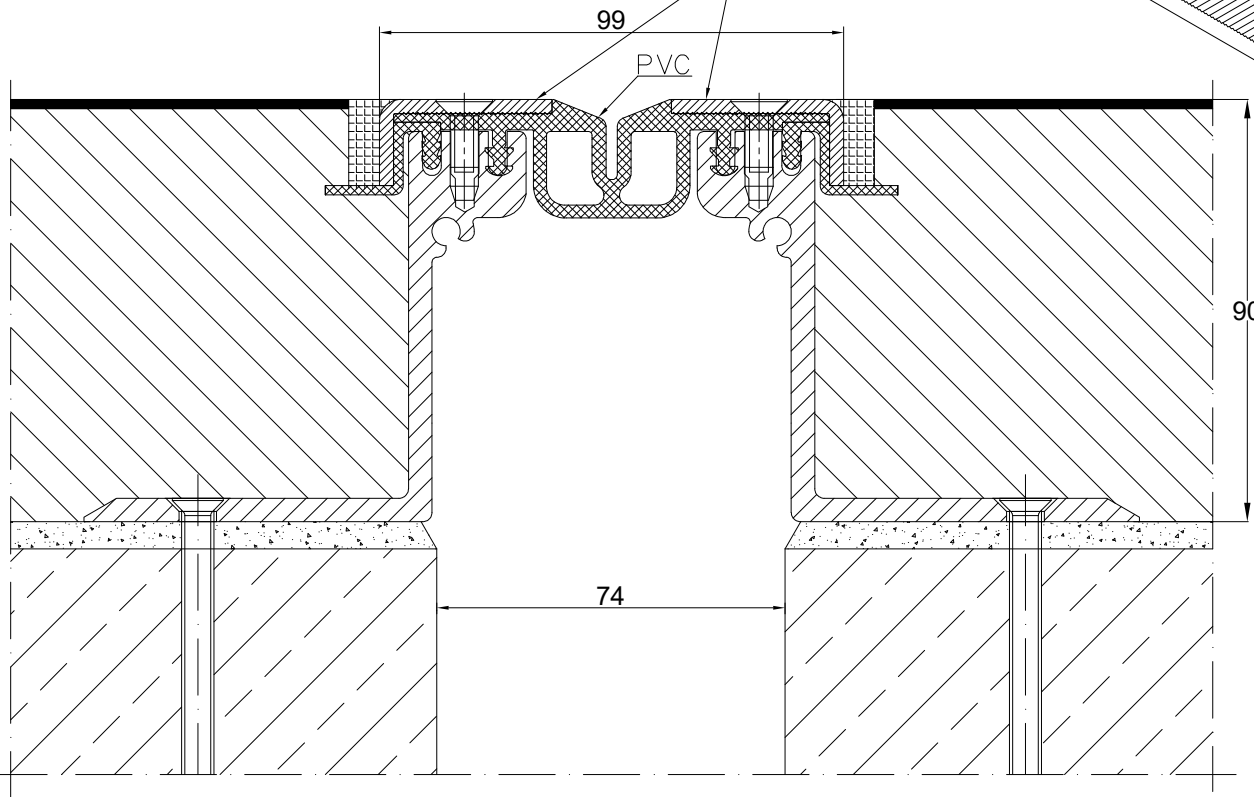
Profile type	Visible element [mm]	Joint width [mm]	Base width [mm]	Installation height [mm]	Material type	Maximum load [kN]	Horizontal/Vertical compensation [mm]
GA 50.20.90 S	99	74	222	90	Aluminum, PVC, steel	120	40(±20)

CONECTO GA 50.20.90 S
VIEW



CONECTO GA 50.20.90 S
SECTION

stainless steel



Expansion joint Conecto Park
GA 50.20.90 S

Conecto Profiles Sp. z o.o.
ul. Przemysłowa 39
61-541 Poznań
www.conecto-profiles.com



ROZMIAR / SIZE A3	SKALA / SCALE 1:1	Wszystkie wymiary podano w [mm] All dimensions in [mm]
----------------------	----------------------	---

PROJEKT	PROJECT	ZŁOŻENIE	SUB ASSEMBLY	RYSunEK	DRAWING	ARKUSZ	WER
						SHEET	REV
--		--			01	1	Z DF 1