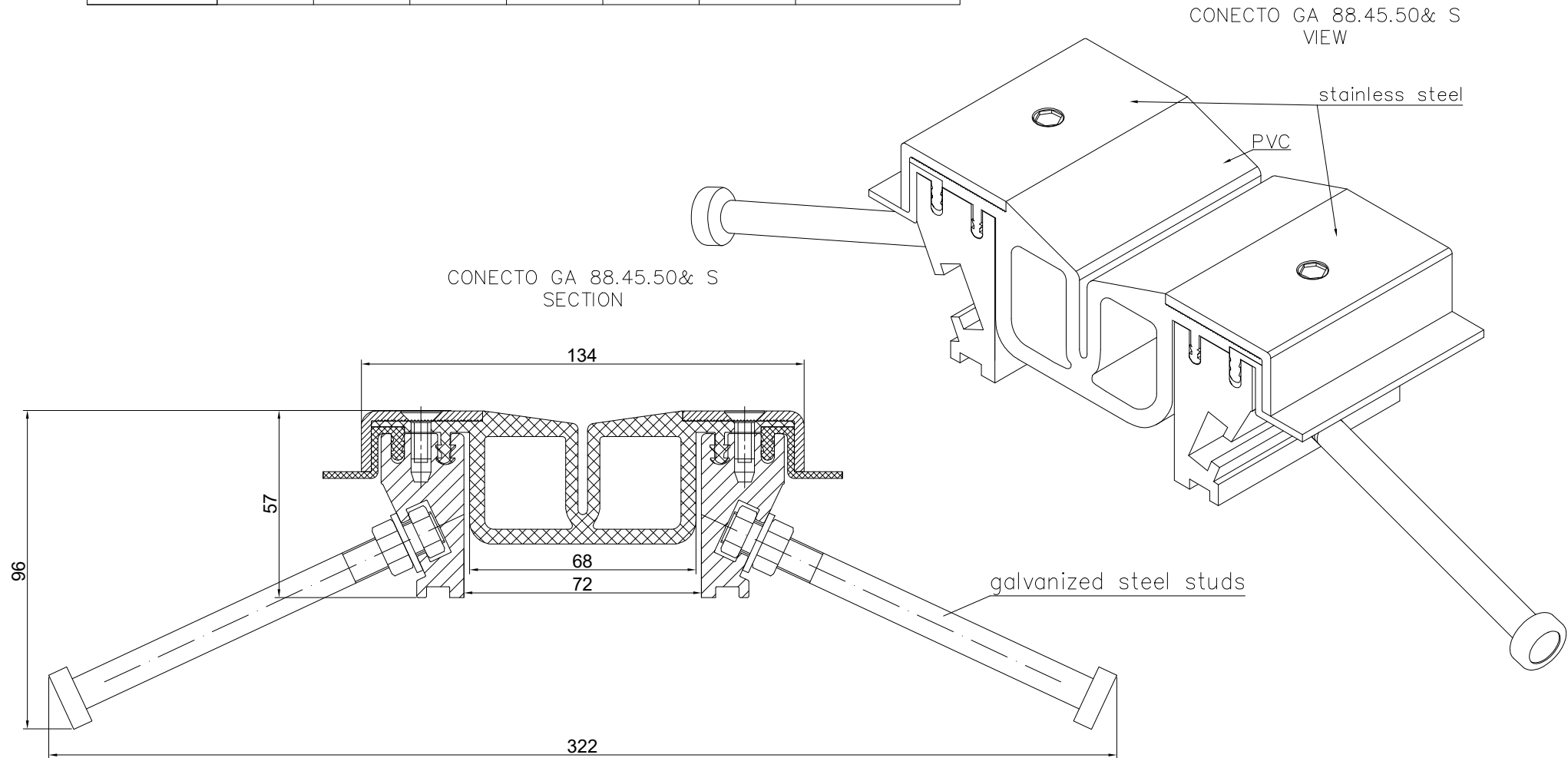


INFORMATION TABLE

Profile type	Visible element [mm]	Joint width [mm]	Base width [mm]	Installation height [mm]	Material type	Maximum load [kN]	Horizontal/Vertical compensation [mm]
GA 88.45.50& S +Galv studs	134	72	322	57/96	Aluminum, PVC, steel	300	90 (±45)



Expansion joint Conecto Park
GA 88.45.50& S

Conecto Profiles Sp. z o.o.
ul. Przemysłowa 39
61-541 Poznań
www.conecto-profiles.com



ROZMIAR / SIZE	SKALA / SCALE	Wszystkie wymiary podano w [mm] All dimensions in [mm]		PROJEKT	PROJEKT	ZŁOŻENIE	SUB ASSEMBLY	RYSUNEK	DRAWING	ARKIUSZ SHEET	WER REV
A3	1:1			--		--		01		1 Z OF 1	