

Sinus 04NS50-4D



Conecto Sinus joint is innovation solution on the market. Due to unique construction and best quality materials it gives feeling when driving over it, that there is no profile in the floor. Using sinusoid joint you could avoid floor cracking and difficult and expensive reparations. Conecto Sinus joints completely absorb shocks and they are completely invisible in usage. Usage of Conecto Sinus joints minimizes operation costs. They reduce problem of damaged fork-lift wheels, loading equipment and goods destruction due to shocks.

Conecto Sinus expansion joints allow for a movement between floor plates:

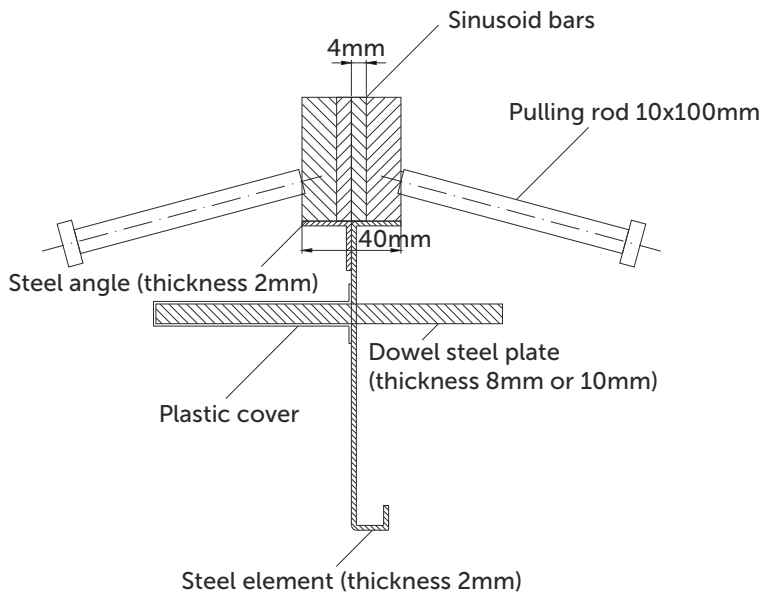
- dowel size 180x120x8mm ± 15 mm parallel and ± 20 mm perpendicular
- dowel size 180x140x10mm ± 20 mm parallel and ± 30 mm perpendicular

Sinusoid joint evenly moves tension which gives correct mutual horizontal and side-by-side movements. Another advantage of these joints is easy installation. You just need to put the strip in proper place and anchor it to the ground. Anchoring elements size and shape are designed to give the biggest surface to move the tenses between parts of the floor.

Conecto Sinus system allows for the free movement of forklifts which wheels are particularly damaging for wrong made expansion joints.



Sinus 04NS50-4D



- Possibility to prepare top sinus from galvanized steel
- Very big surface of steel dowel
- Standard space between dowels 600mm (4D)
Possibility to use more dowels per one joint (5D, 6D) to increase max loads on floor
- Standard grade steel on top S235, dowel system S355
- Nylon screws M10 providing possibility of separation and work between floor fields
- Plastic cover made of highly resistant ABS plastic

Floor height [mm]	Profile height [mm]	Dowel size [mm]	Dowel spacing [mm]	One piece weight [kg]
135-155	125	180x120x8	600	27,21
160-185	155			30,09
185-205	175			32,01
210-230	200			34,41
235-255	225			36,81
260-280	250			39,21
285-305	275			41,61

- ability to perform a profile in any height of 5 mm.
- standard length 2.4 meters

